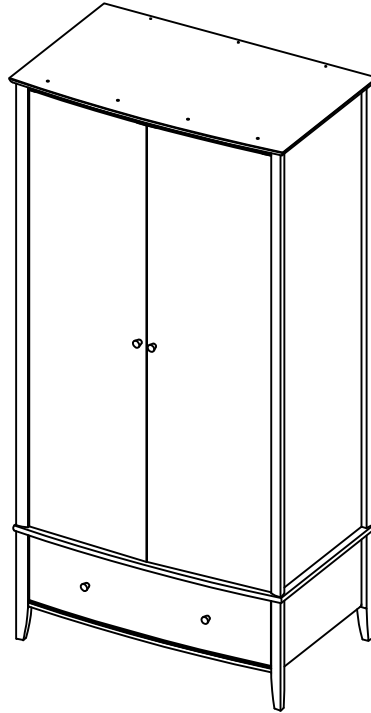


DOUBLE WARDROBE

Stock number: 403X-82

Thank you for purchasing this product. Please read the instructions carefully before use to ensure safe and satisfactory operation of this product.

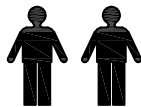


Pre-assembly preparation

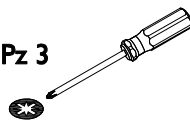
Please ensure instructions are read in full before attempting to assemble this product.

Necessary Tools : Pozi screwdriver and Phillips screwdriver

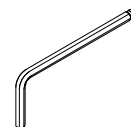
(Included)



Pz 2 or Pz 3



Ph 2



Please check the pack contents before attempting to assemble this product. A full checklist of components is given in this leaflet. If any components are missing, please contact the retailer from whom you bought this product.

This product takes approximately **60 MINUTES** to assemble with **2 PEOPLE**.

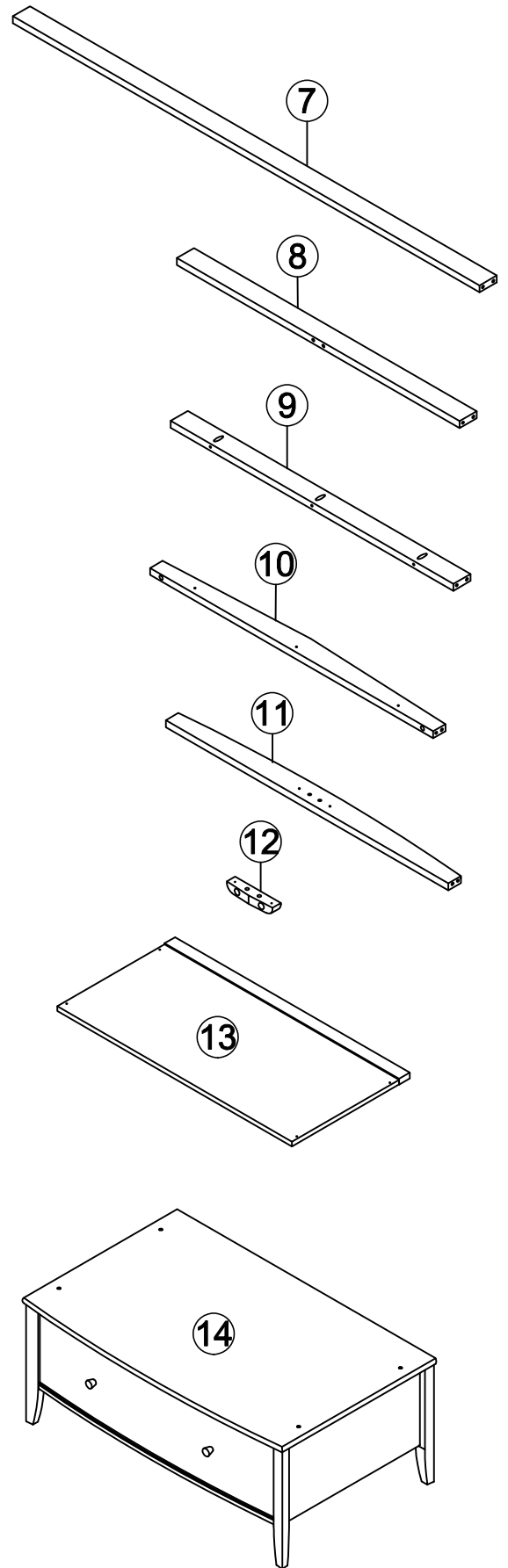
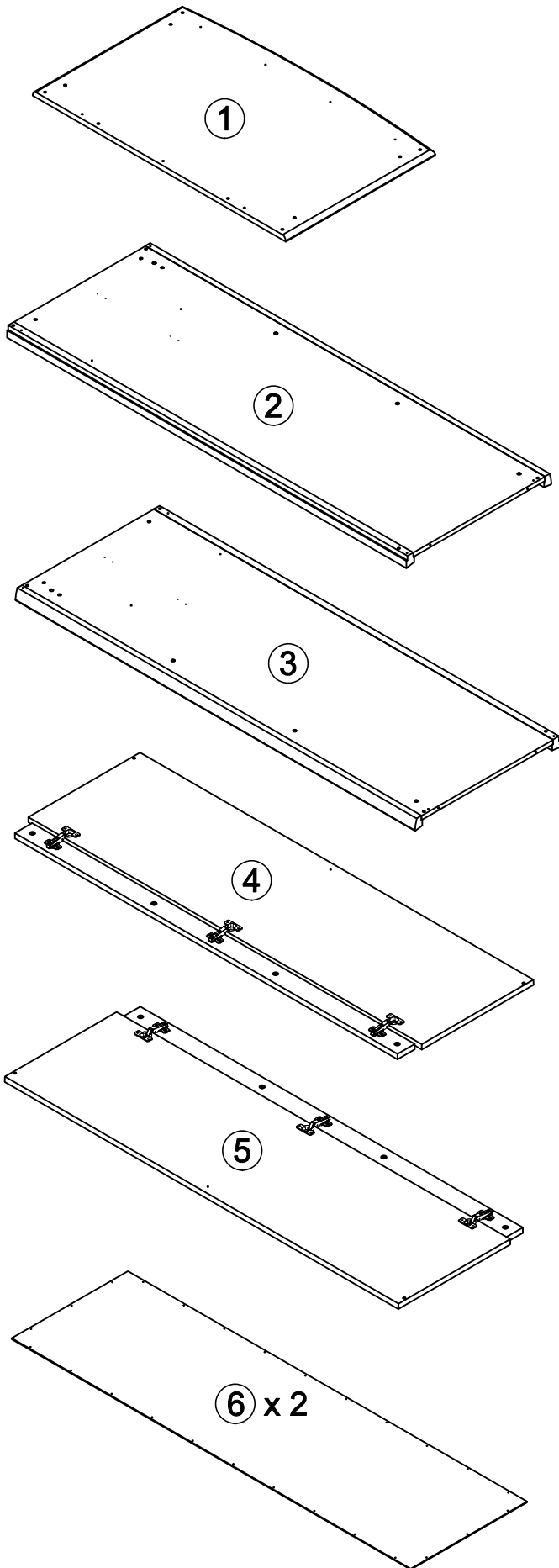
All assembly should be performed on a flat, stable, clean and soft surface.

This product is **HEAVY**, it should be assembled as near as possible to the point of use. **TAKE CARE WHEN LIFTING** to avoid personal injury and (or) damage to the product.






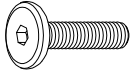





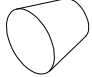






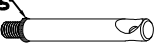
The fitting pack contains **SMALL ITEMS** which should be **KEPT AWAY FROM YOUNG CHILDREN**.

IMPORTANT: Retain these instructions for future reference.

Page : 1



Fittings and parts checklist

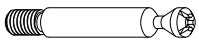
Item	Description	Qty.		Item	Description	Qty.
1	Top panel	x 1		8	Top back rail	x 1
2	Side panel right	x 1		9	Bottom back rail	x 1
3	Side panel left	x 1		10	Bottom front rail	x 1
4	Door frame right	x 1		11	Top front rail	x 1
5	Door frame left	x 1		12	Wood stopper	x 1
6	Back panel	x 2		13	Adjustable shelf	x 1
7	Vertical back rail	x 1		14	Wardrobe base	x 1
A	Steel dowel Ø7 x 52mm		x 4	L	Small grub screw Ø7 x 7.5mm	 x 4
B	Grub screw Ø8 x 8mm		x 4	M	Allen key M4 x 30 x 110mm	 x 1
C	Wooden dowel Ø8 x 30mm		x 20	N	Hex head bolt M6 x 25mm	 x 8
D	Hanger rail support		x 4	P	Hanger rail	 x 1
E	Varianta screw Ø4.2 x 10.5mm		x 8	Q	Wood shelf support	 x 4
F	Cam screw Ø7 x 44.5mm		x 4	R	Handle	 x 2
G	Cam lock Ø15 x 13.5mm		x 4	S	Round head bolt M4 x 30mm	 x 2
H	Round head screw Ø4 x 25mm		x 12	T	Round head screw Ø3.5 x 18mm	 x 52
J	Confirmat screw Ø7 x 50mm		x 3	U	Felt	 x 4
K	Small steel dowel Ø5.5 x 45mm		x 4			

Step by step assembly instructions

Step 1

- 1.1 : Lay all parts onto a flat, stable, clean and soft surface.
- 1.2 : Attach 4x small steel dowels (K) onto top panel (1) by screwing fittings (K) into the inset fittings that are located on part (1) as shown. Ensure the direction of the holes on fittings (K) are facing correctly as per diagram.
- 1.3 : Attach 4x hanger rail supports (D) onto the pre-drilled holes on side panels (2) & (3) using 8x varianta screws (E) as shown. Use a screwdriver to turn fittings (E) clockwise to fix.
- 1.4 : Attach 4x cam screws (F) onto the pre-drilled holes on side panels (2) & (3) as shown. Use a pozi screwdriver to turn fittings (F) clockwise to fix.
- 1.5 : Attach 4x steel dowels (A) onto the pre-drilled holes on side panels (2) & (3) as shown. Use a pozi screwdriver to turn fittings (A) clockwise to fix.

Fitting



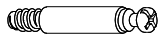
A x 4



D x 4



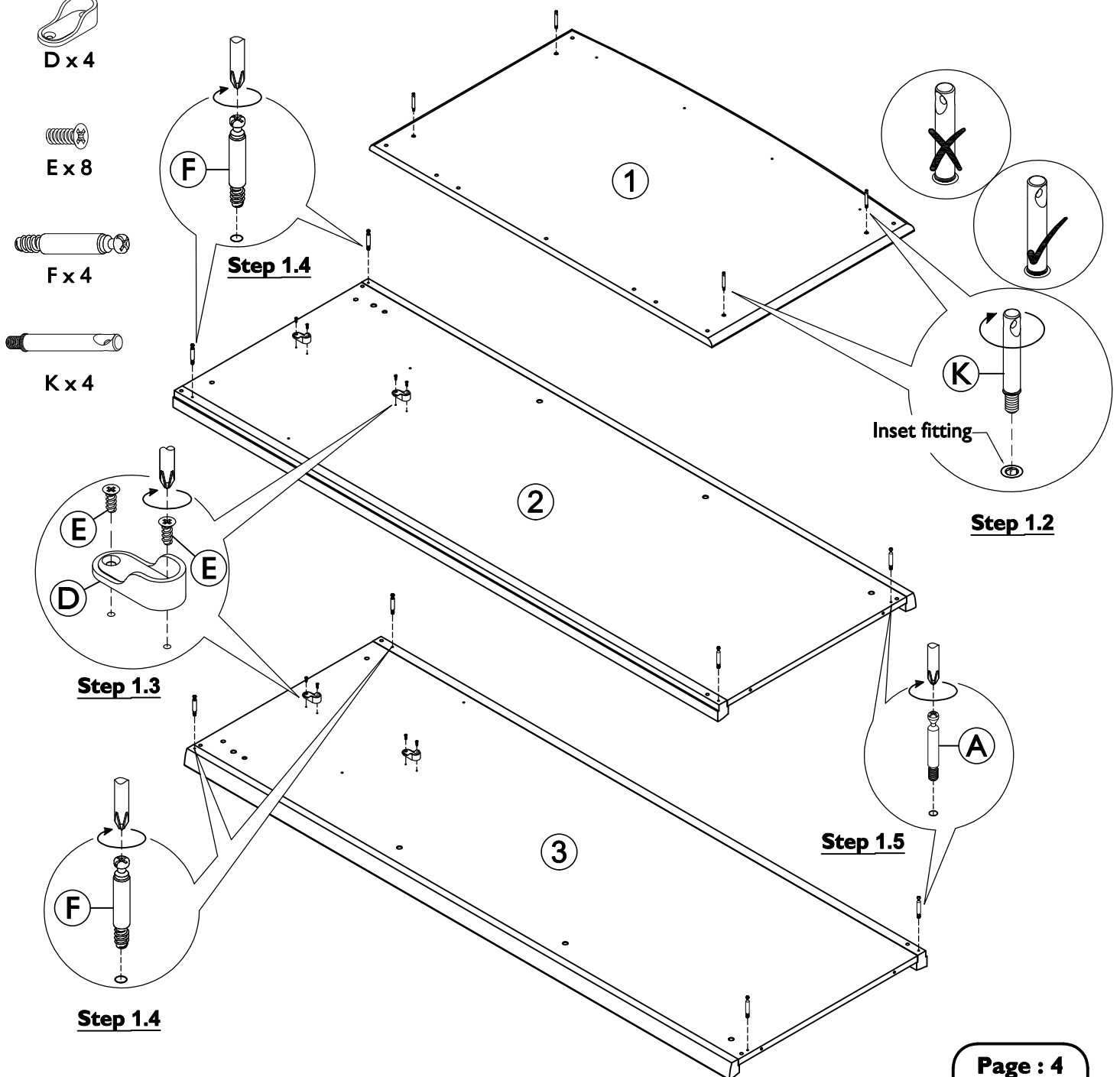
E x 8



F x 4



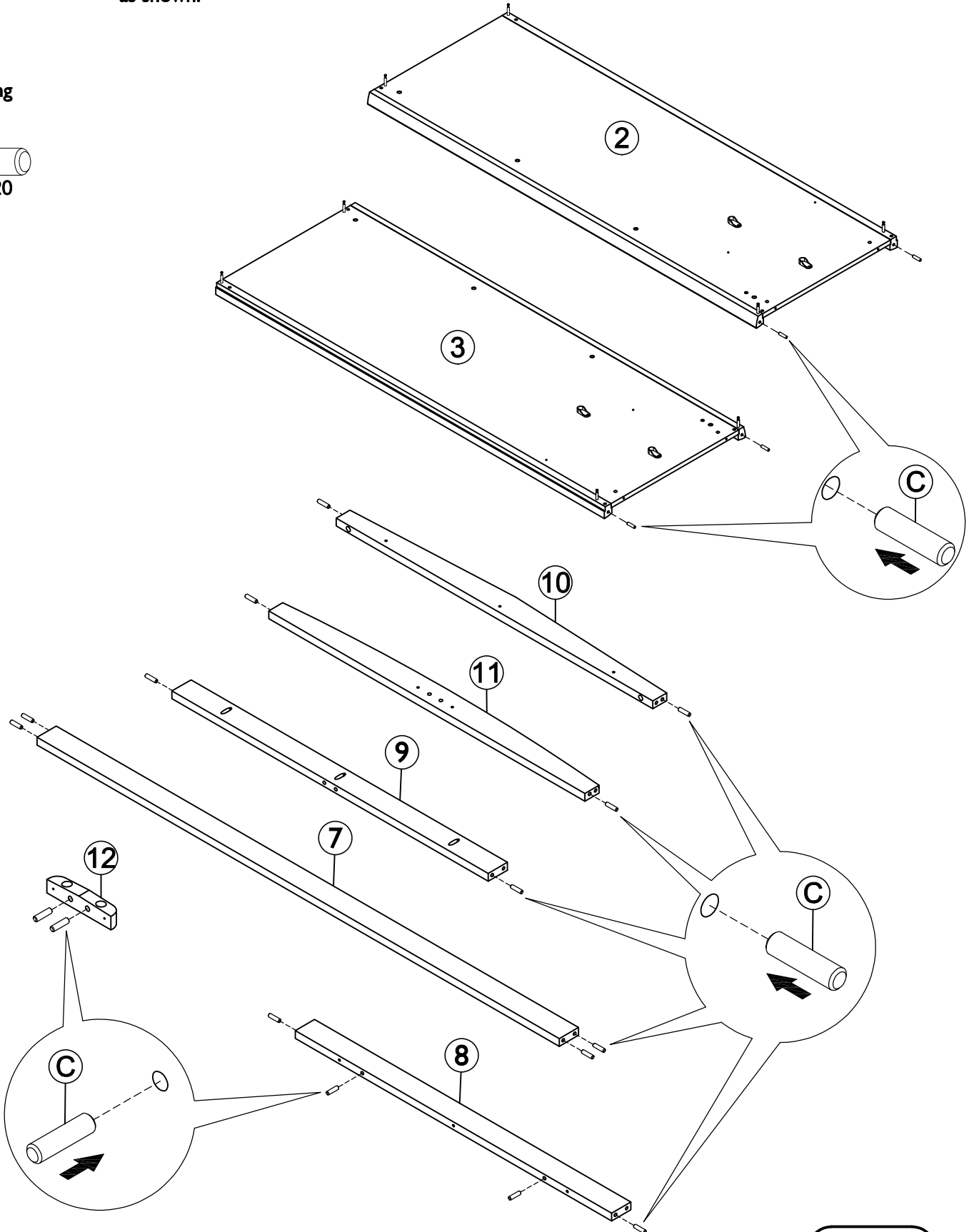
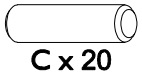
K x 4



Step by step assembly instructions

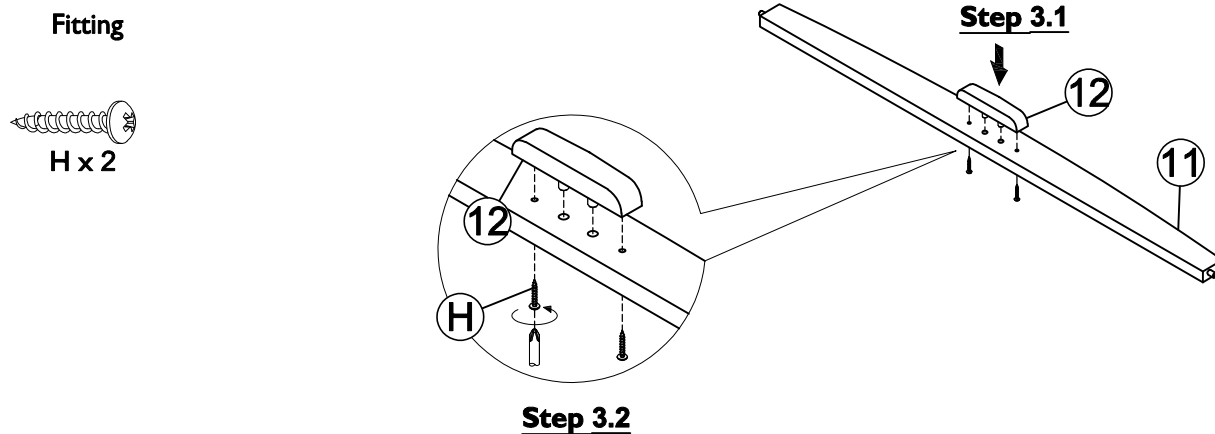
Step 2 : Insert 20x wooden dowels (L) into the pre-drilled holes on parts (2), (3), (7), (8), (9), (10), (11), (12) as shown.

Fitting

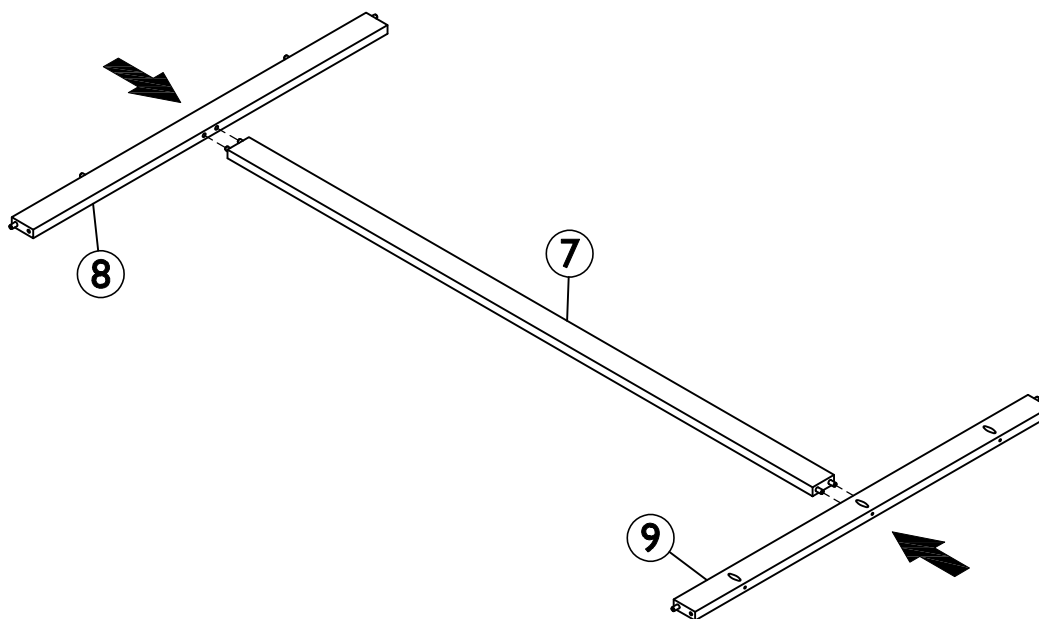


Step by step assembly instructions

- Step 3** 3.1 : Attach wood stopper (12) onto top front rail (11) as shown. Ensure wooden dowels (C) are aligned correctly with the holes of mating parts before attaching.
- 3.2 : Secure part (12) to part (11) using 2x round head screws (H). Use a screwdriver to turn fittings (H) clockwise to fix.



-
- Step 4** : Attach top back rail (8), bottom back rail (9) onto vertical back rail (7) as shown. Ensure wooden dowels (C) are aligned correctly with the holes of mating parts before attaching.



Step by step assembly instructions

- Step 5** 5.1 : Attach bottom front rail (10) and structure assembled in **Step 3, 4** onto side panel left (3) as shown. Ensure wooden dowels (C), cam screws (F), steel dowels (A) are aligned correctly with the holes of mating parts before attaching.
- 5.2 : Secure parts (8), (11) to part (3) using 2x cam locks (G) as shown. Use a pozi screwdriver to turn fittings (G) clockwise to fix.
- 5.3 : Secure parts (9), (10) to part (3) using 2x grub screws (B) as shown. Use a allen key (M) to turn fittings (B) clockwise to fix.

Fitting



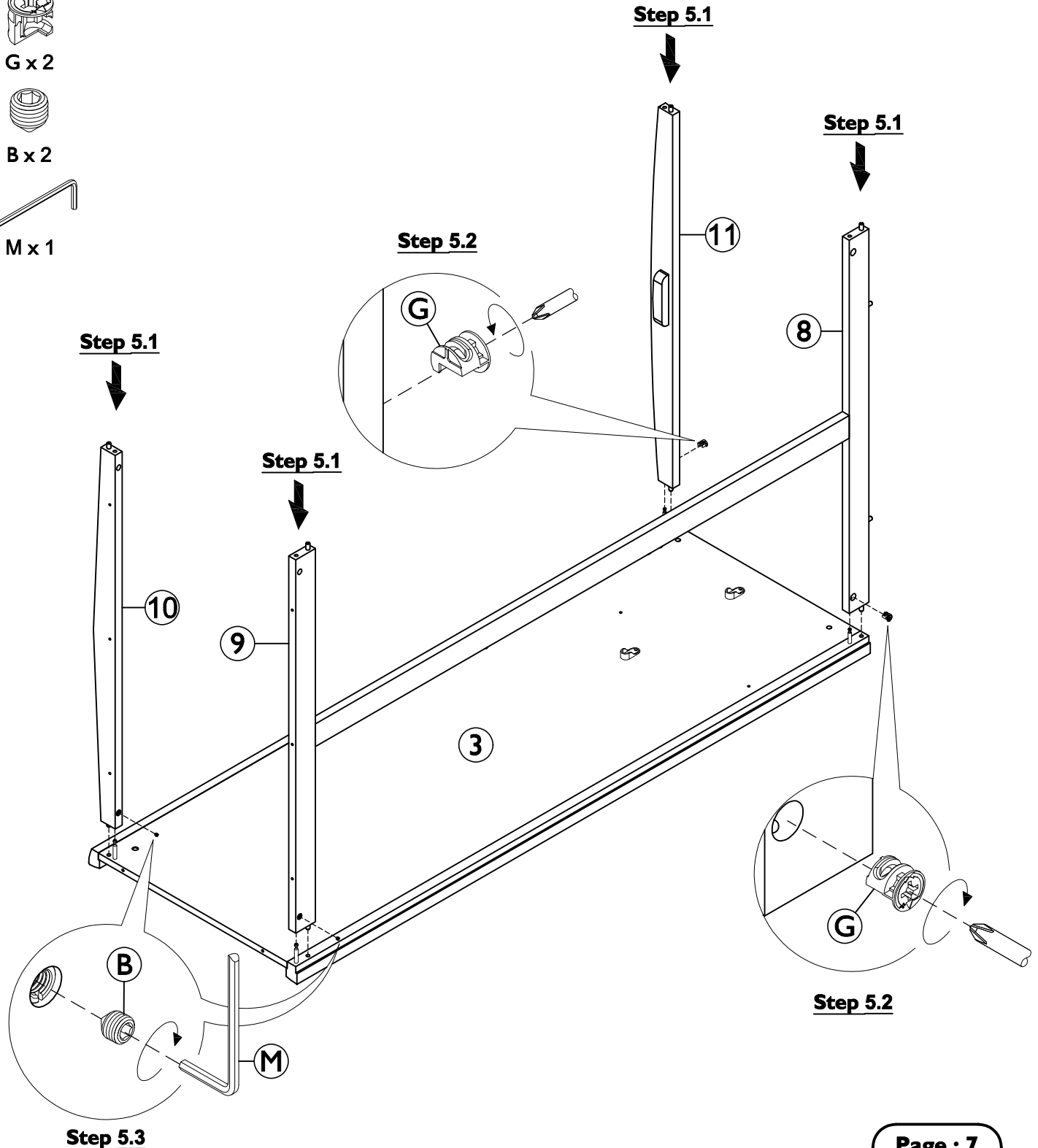
G x 2



B x 2



M x 1



Step by step assembly instructions

- Step 6**
- 6.1 : Attach side panel right (2) onto the structure assembled in **Step 5** as shown. Ensure wooden dowels (C), cam screws (F), steel dowels (A) are aligned correctly with the holes of mating parts before attaching.
- 6.2 : Secure part (2) to parts (8), (11) using 2x cam locks (G) as shown. Use a pozi screwdriver to turn fittings (G) clockwise to fix.
- 6.3 : Secure part (2) to parts (9), (10) using 2x grub screws (B) as shown. Use a allen key (M) to turn fittings (B) clockwise to fix.

Fitting



G x 2



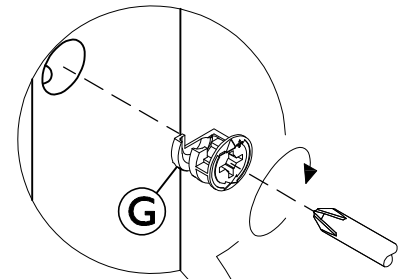
B x 2



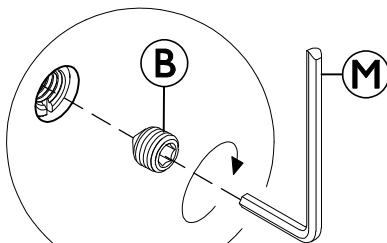
M x 1

Step 6.2

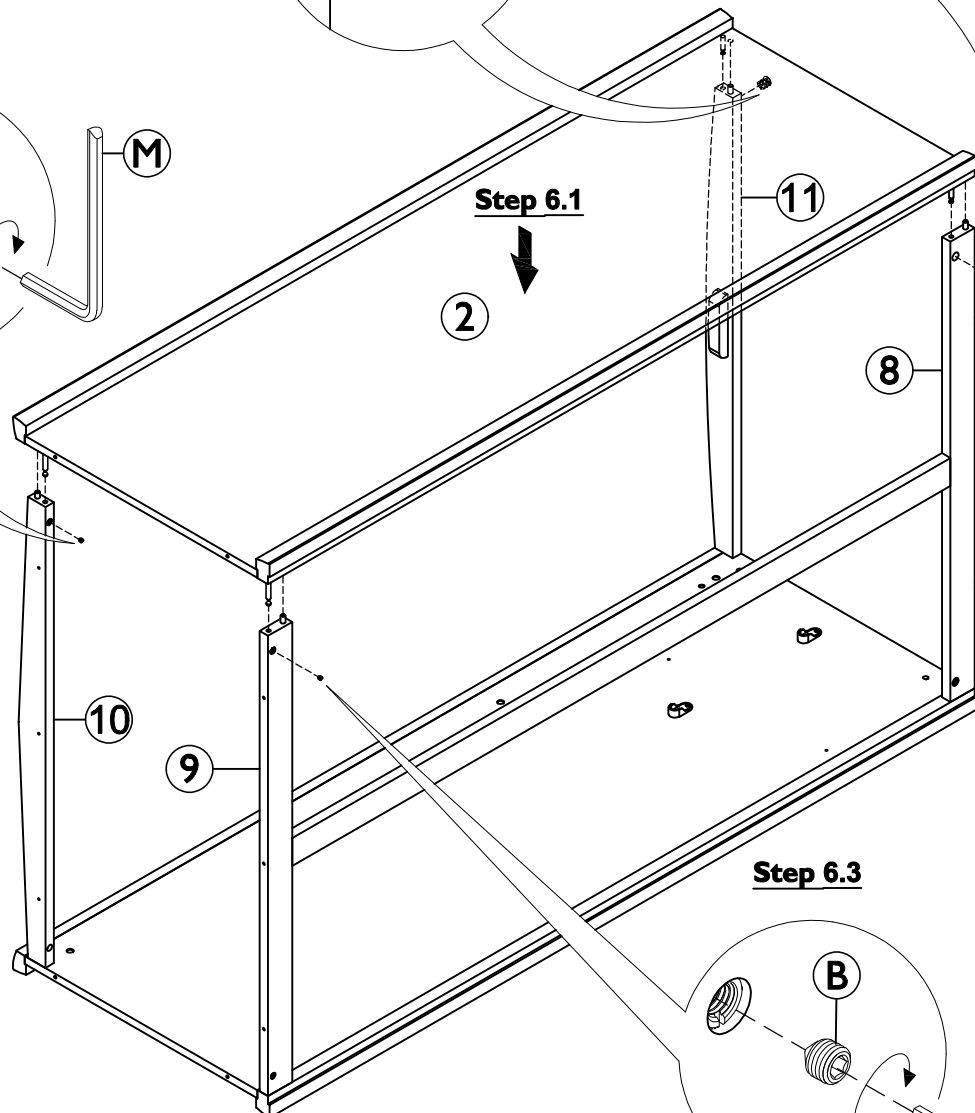
Step 6.2



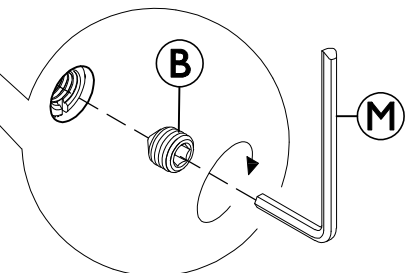
Step 6.3



Step 6.1



Step 6.3



Step by step assembly instructions

- Step 7**
- 7.1 : Attach top panel (1) onto the structure assembled in **Step 6** by lift part (3) up before attach part (1) to parts (2),(3),(8)&(11) as shown. Ensure wooden dowels (C), small steel dowels (K) are aligned correctly with the holes of mating parts before attaching.
- 7.2 : Secure part (1) to parts (2), (3) using 4x small grub screws (L) as shown. Use a pozi screwdriver to turn fittings (L) clockwise to fix.
- 7.3 : Secure part (1) to part (8) using 3x Confirmat screws (J) as shown. Use a allen key (M) to turn fittings (J) clockwise to fix.
- 7.4 : Secure part (1) to part (11) using 4x Round head screws (H) as shown. Use a screwdriver to turn fittings (H) clockwise to fix.

Fitting



L x 4



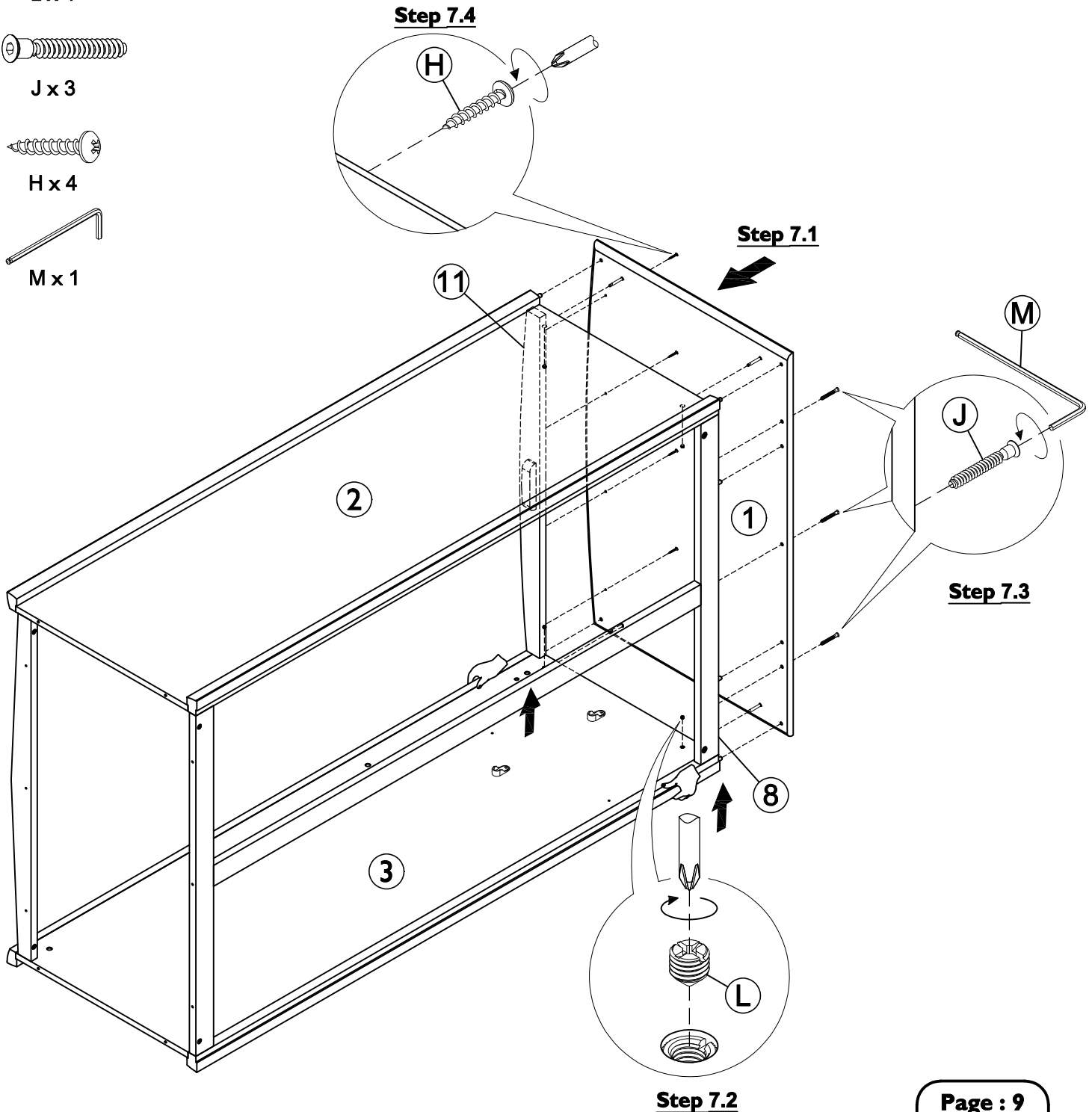
J x 3



H x 4



M x 1



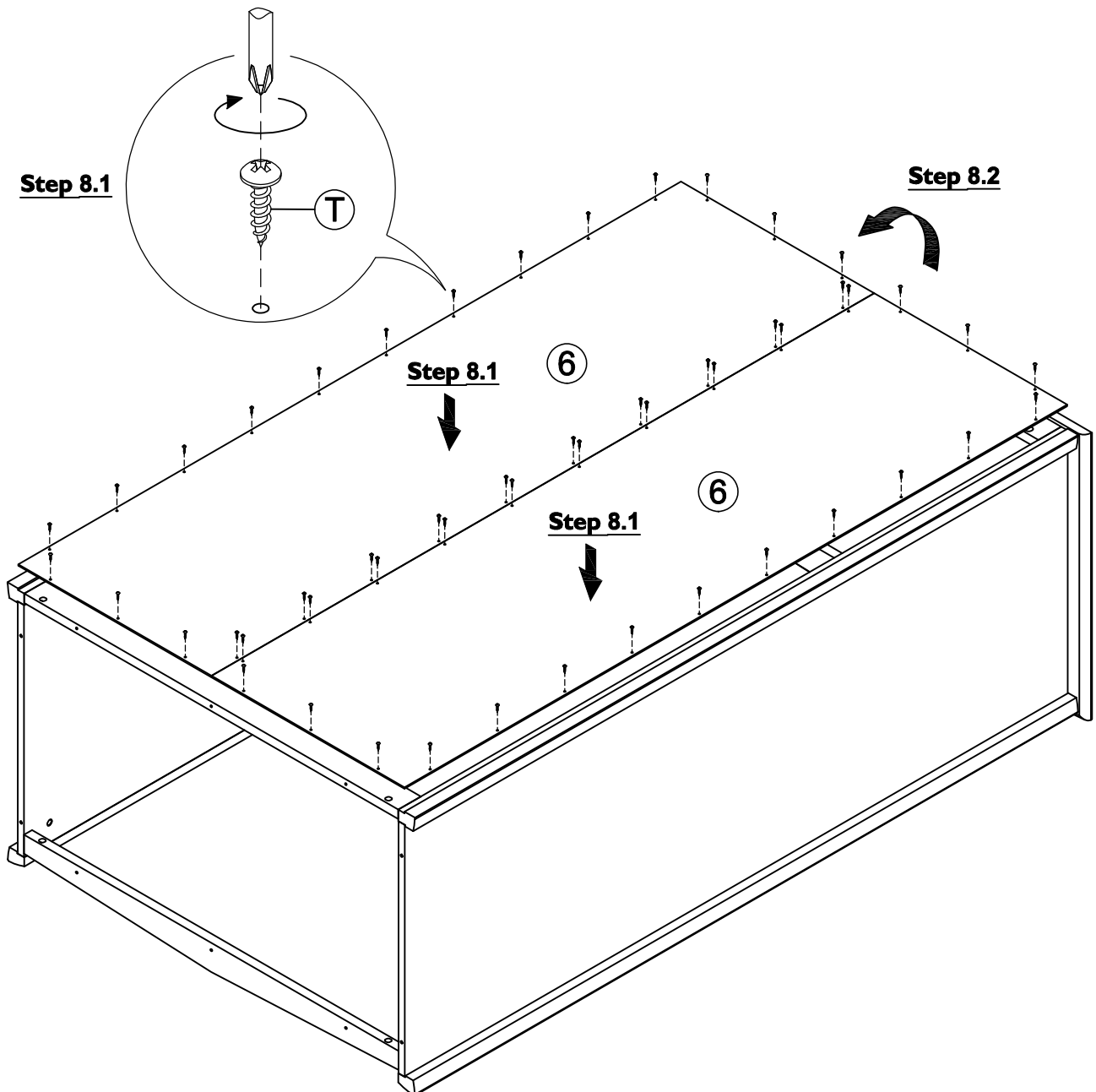
Step by step assembly instructions

- Step 8** 8.1 : Attach back panels (6) onto back side of the unit using 52x round head screws (T) as shown. Use a screwdriver to turn fittings (T) clockwise to fix.
8.2 : Stand the unit upright.

Fitting



T x 52



Step by step assembly instructions

Step 9 9.1 : Remove the plastic from 4x felts (U) and stick felts (U) onto under legs of wardrobe base (14) as shown.

9.2 : Stand the wardrobe base (14) upright.

9.3 : **Note:** This product is heavy, it should be assembled as near as possible to the point of use.

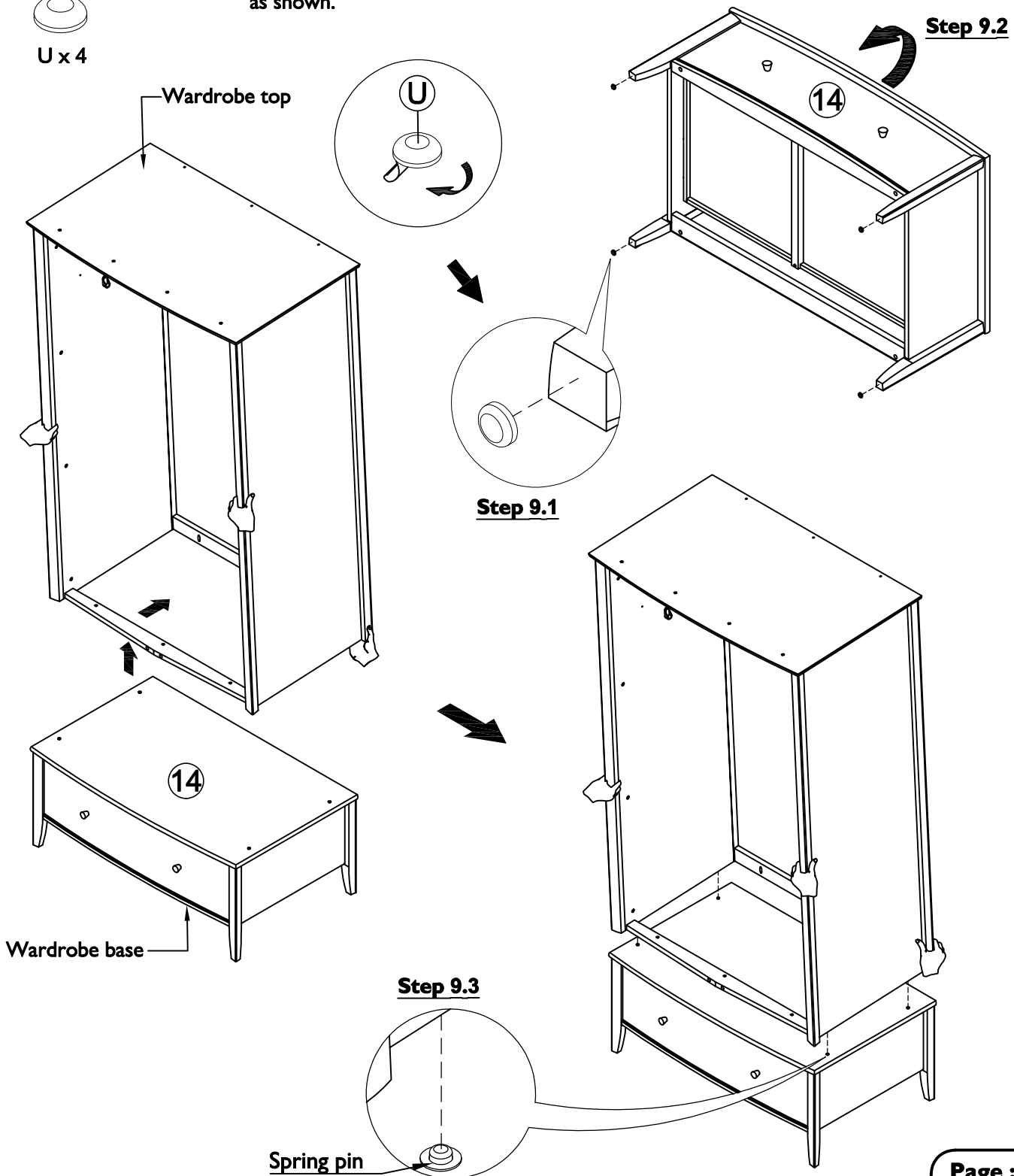
: With help of assistant, carefully lift the wardrobe top upwards over the wardrobe base (14).

: Carefully lower wardrobe top onto wardrobe base (14). Ensure the holes under wardrobe top are aligned correctly with the mating spring pins on wardrobe base (14) to avoid damage as shown.

Fitting



U x 4



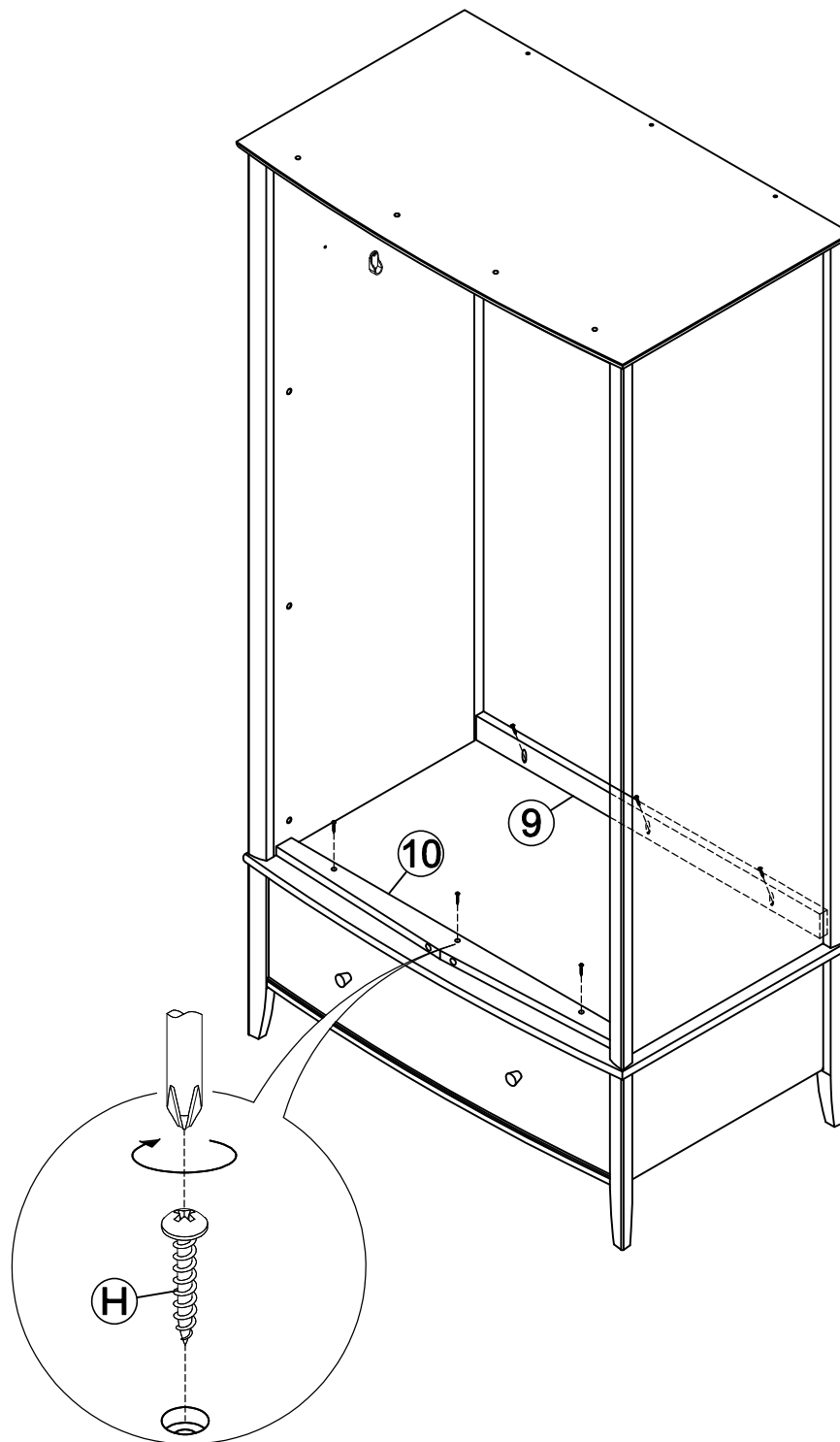
Step by step assembly instructions

Step 10 : Secure wardrobe top to wardrobe base by screwing 6x round head screws (H) into the predrilled holes on bottom back rail (9) and bottom front rail (10) as shown. Use a screwdriver to turn fittings (H) clockwise to fix.

Fitting



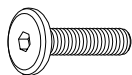
H x 6



Step by step assembly instructions

Step 11 : Attach doors (4) & (5) to side panels (2) & (3) by screwing 8x hex head bolts (N) into inset fittings that are located on parts (2) & (3) as shown. Ensure the holes on doors (4) & (5) are aligned correctly with the mating spring pins on side panels (2) & (3) before attaching. Use allen key (M) to turn fittings (N) clockwise to fix.

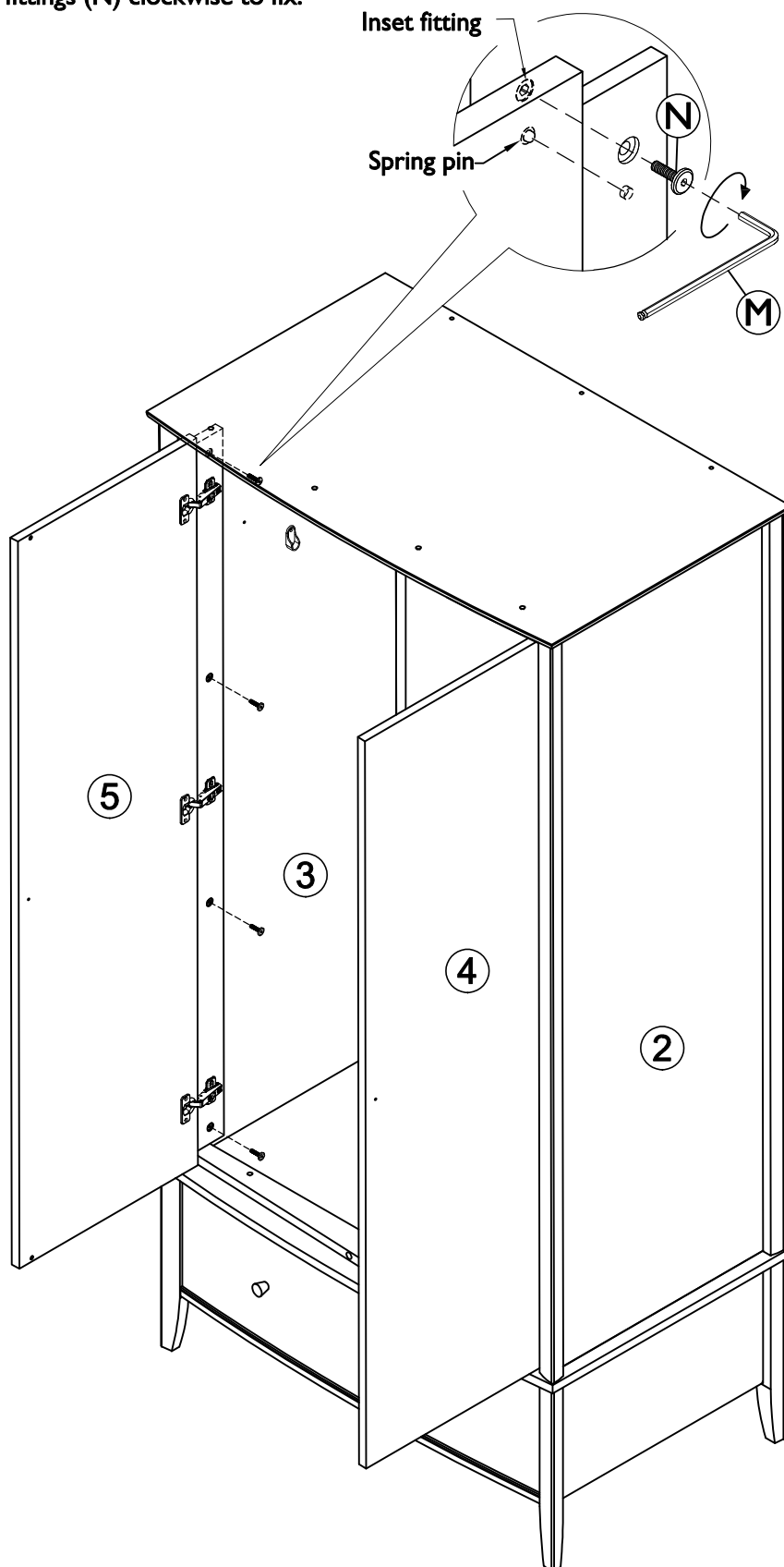
Fitting



N x 8



M x 1



Step by step assembly instructions

- Step 12**
- 12.1 : Insert 4x wood shelf supports (Q) into the pre-drilled holes on left and right side panels (2) & (3) as shown.
 - 12.2 : Tilt removable shelf (13) to a suitable angle as shown in the picture so as to slide it in.
 - 12.3 : Slide removable shelf (13) into the unit. Ensure the holes on shelf are facing down, then place it onto the pins of wood shelf support (Q) as shown.
 - 12.4 : Place hanger rail (P) onto hanger rail supports (D) on left & right sides of unit as shown.

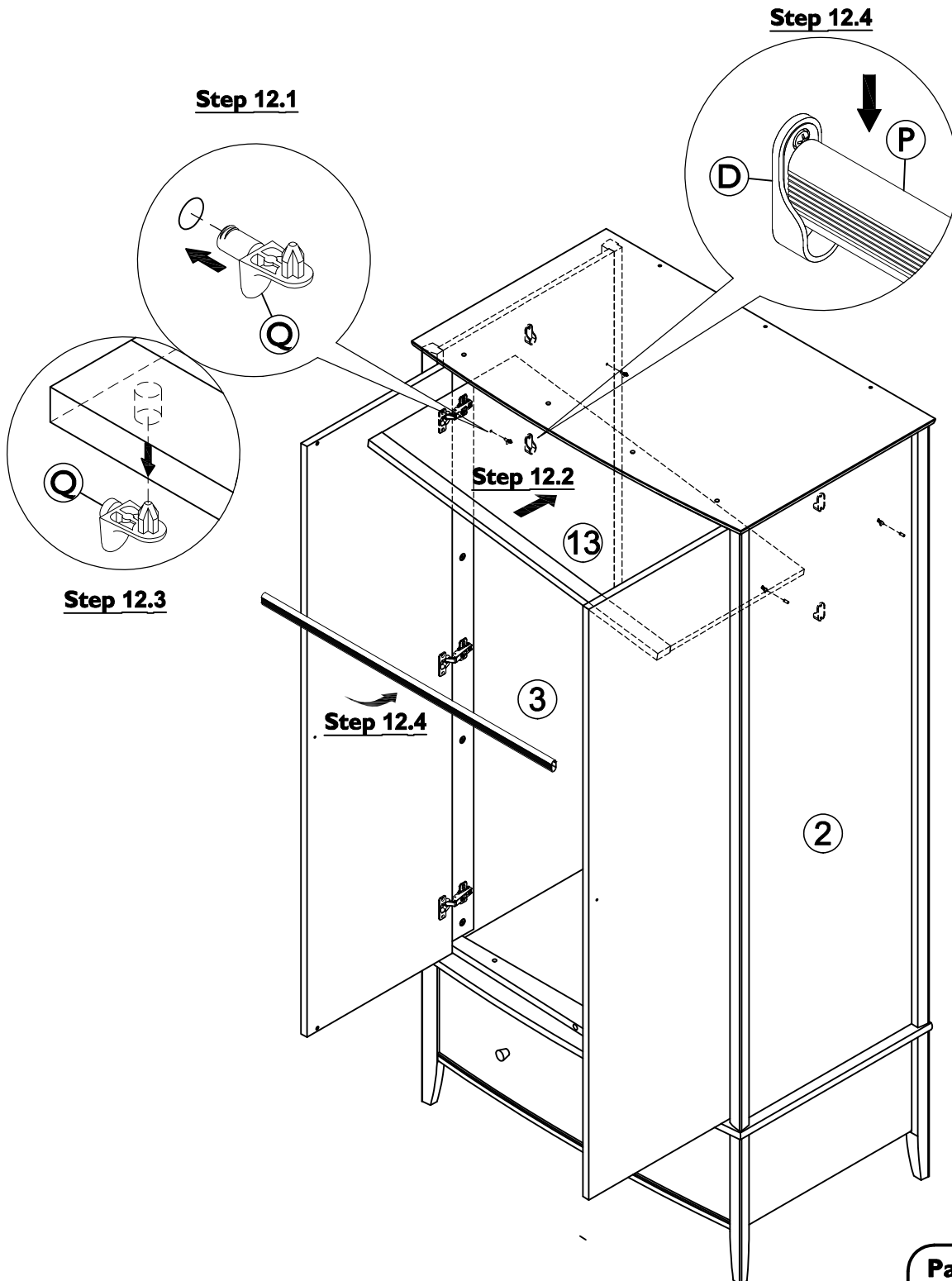
Fitting



P x 1



Q x 4



Step by step assembly instructions

Step 13 : Attach 2x handles (R) to doors (4), (5) using 2x round head bolts (S) as shown. Use a screwdriver to turn fittings (R) clockwise to fix.

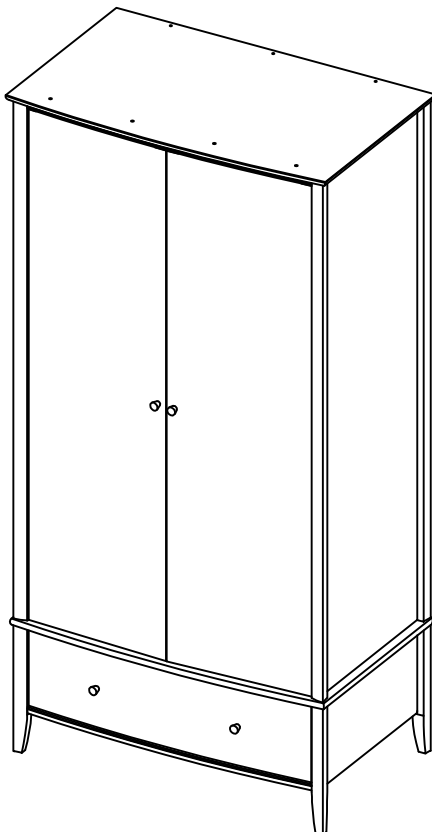
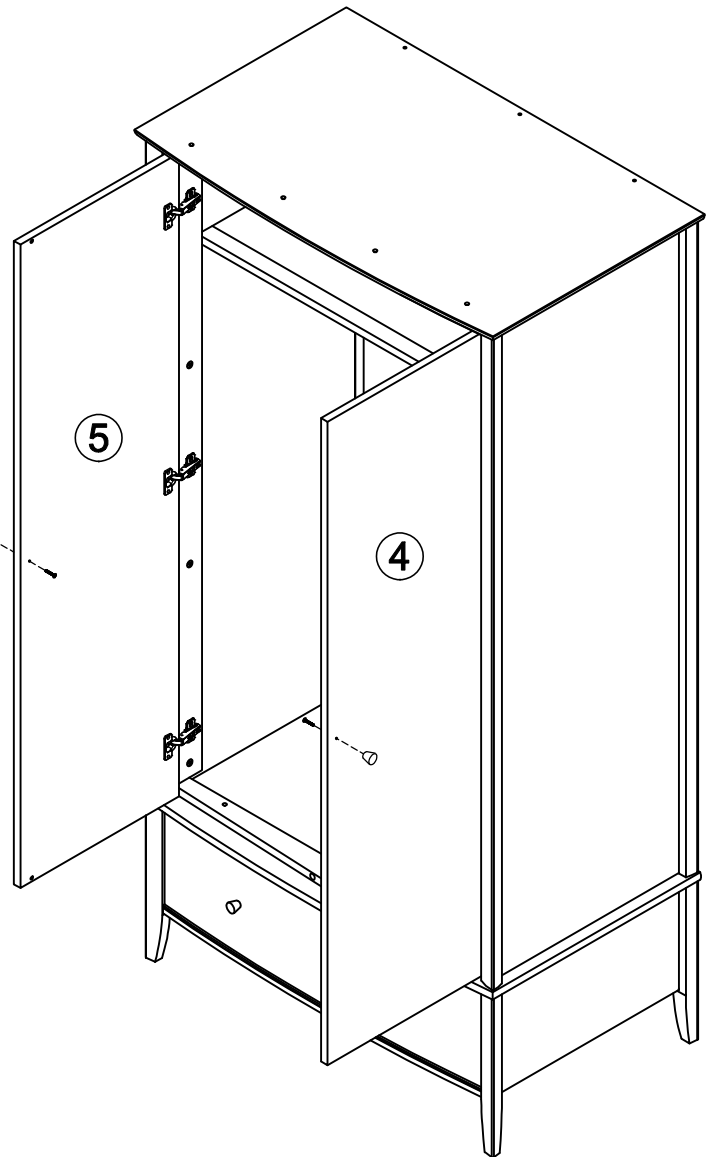
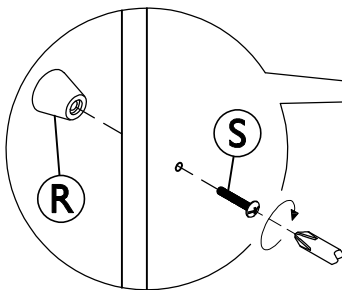
Fitting



R x 2



S x 2

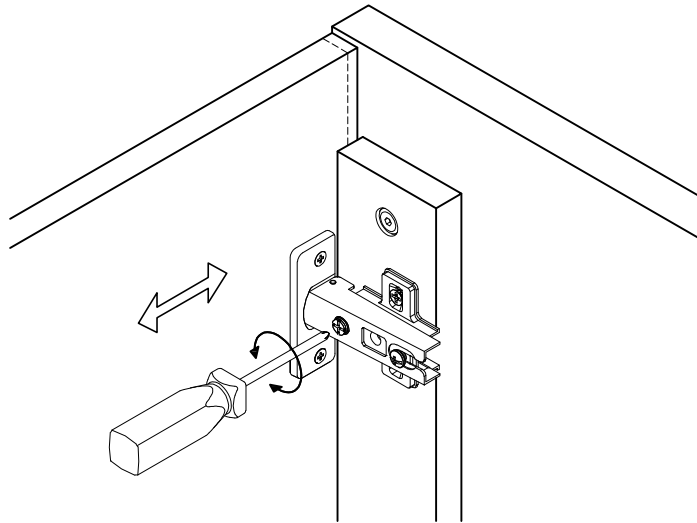


Assembly is complete

HINGE ADJUSTMENT INSTRUCTIONS

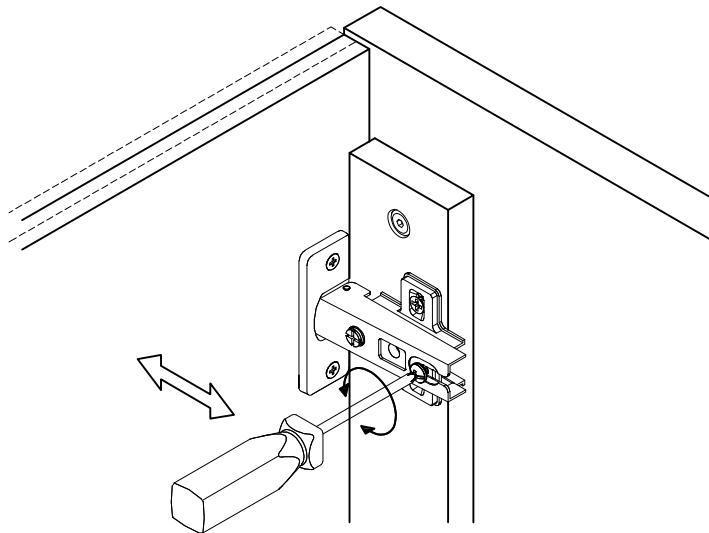
LATERAL ADJUSTMENT

by screw adjustment.



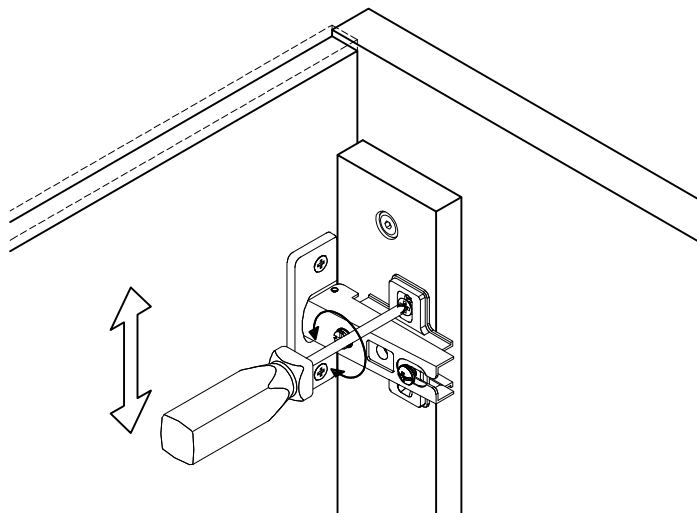
FRONT-TO-BACK

by slackening and retightening the hinge-arm mounting screw.



VERTICAL ADJUSTMENT

via slots on mounting plate by slackening and retightening the screws on mounting plate



Care and Maintenance

Wood Furniture

Wood displays different grain patterns depending on which way they are cut - for example, the 'medullary ray' which can appear on oak furniture is a mark of good quality timber - these are just characteristics of the natural beauty of the wood.

Some furniture is also deliberately aged and rustic.

Wood veneers also allow distinctive patterns to be created on some surfaces, such as table tops and drawer fronts by the way slivers are arranged.

All timber and veneer surfaces will change colour and mellow over time. New furniture will initially vary in shade from items that have been previously purchased.

How to care for your wood furniture

Dust with a clean, damp, lint free cloth. Frequent dusting will remove abrasive build up, which can damage the finish over time.

Do not use a very wet cloth or allow any liquid to contact with the veneers for a long period of time as this can permanently damage the surface. Wipe up spills immediately.

Do not use any abrasive cleaner or harsh detergent as this can damage the surface of the furniture.

Spray polishes are best avoided as they contain silicones which may spoil the furniture's surface when building up over time.

Make sure all surfaces are protected from heat and liquids by mats and coasters.

Ensure that a mat or pad is placed under paper when you are writing on the furniture surface.

Do not place rubber, cork, vinyl or plastic materials on the wood finish as chemicals within may react with the finish if left in contact for an extended period of time.

Our furniture will endure most temperatures in the home but it is best to avoid placing furniture next to heat sources such as radiators or fires. Be particularly careful with solid wood as the lack of humidity caused by home heating can cause damage such as warping, cracking or splitting.

Excessive exposure to sunlight can cause fading of your furniture.

Avoid exposing your furniture to any liquids. All liquids should be wiped up immediately with a soft, slightly damp cloth in the direction of the wood grain. If sticky liquid residues do occur, they may be removed with a dilute solution of warm soapy water followed by a clean, damp sponge. The area should then be wiped immediately in the direction of the wood grain with a clean, soft white cloth until completely dry.

Nail polish remover, hairspray, perfume, potpourri & any other products that contains solvents can damage wood upholstery finishes.

Safety Instructions:

Never drag furniture when moving it. Always lift it.

Periodically check all fixings to ensure none have come loose. Re-tighten when necessary.

Please take care when handling or moving the furniture as careless handling may cause damage or injury.

Furniture can be dangerous if incorrectly assembled. Assembly should be carried out by a competent person.

No liability will be accepted for damage or injury caused by incorrectly installed or assembled furniture.

Heavy item warning:

It is recommended to seek assistance when moving a heavy object. Take care when lifting to avoid personal injury and (or) damage to the product.

It is recommended that before moving a heavy object to a new location it is completely dis-assembled to avoid personal injury or damage to the furniture. Please be careful to retain all fittings when doing this.